



[I-21/60/2025-W&M Section]

GOVERNMENT OF INDIA/भारत सरकार
MINISTRY OF CONSUMER AFFAIRS, FOOD AND PUBLIC DISTRIBUTION
उपभोक्ता मामले, खाद्य एवं सार्वजनिक वितरण मंत्रालय
DEPARTMENT OF CONSUMER AFFAIRS/ उपभोक्ता मामले विभाग
LEGAL METROLOGY DIVISION/ विधिक मापविज्ञान प्रभाग

Krishi Bhawan/कृषि भवन, नई दिल्ली
Dated/दिनांक:- 21.03.2025

Certificate of Approval of Model/ मॉडल का अनुमोदन प्रमाणपत्र

Whereas the Central Government, after considering the report submitted to it by prescribed authority, is satisfied that the model described in the said report (see the figure given below) is in conformity with the provisions of the Legal Metrology Act, 2009 (1 of 2010) and the Legal Metrology (Approval of Models) Rules, 2011 and the said model is likely to maintain its accuracy over periods of sustained use and to render accurate service under varied conditions;

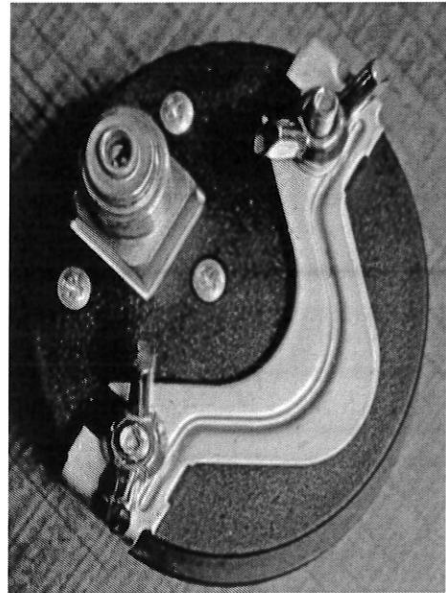
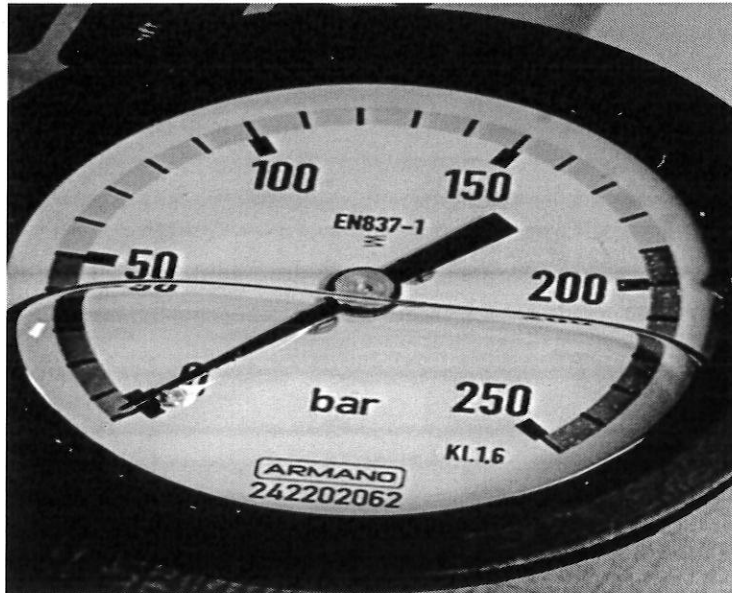
Now, therefore, in exercise of the powers conferred by section 22 of the Legal Metrology Act, 2009 (1 of 2010) read with sub-rule (6) of rule 8 and sub-rule (4) of rule 11 of the Legal Metrology (Approval of Models) Rules, 2011, as per OIML R 101, the Central Government hereby issues the certificate of approval of the model of pressure gauge of accuracy class 2.5 (hereinafter referred to as the said model) of series "RKG-63 0-250 bar" and with brand name "ARMANO MESSTECHNIK GMBH" manufactured by M/s. SHIBAURA MACHINE INDIA PRIVATE LIMITED, 65, P.O. Box No.5, Chembarambakkam Poonamallee, Thiruvallur, Chennai, Tamil Nadu 600123 and which is assigned the approval mark IND/09/25/90 (the picture of the model is given below as Figure 1);

The said model is a pressure gauge in which the pressure from the system is applied to the gauge's sensing element, typically a bourdon tube.

Technical Data:

Accuracy Class	2.5
Range	0 to 250 bar
Resolution	10 bar
Type of Display	Mechanical Dial type

Figure-1





Bottom connection

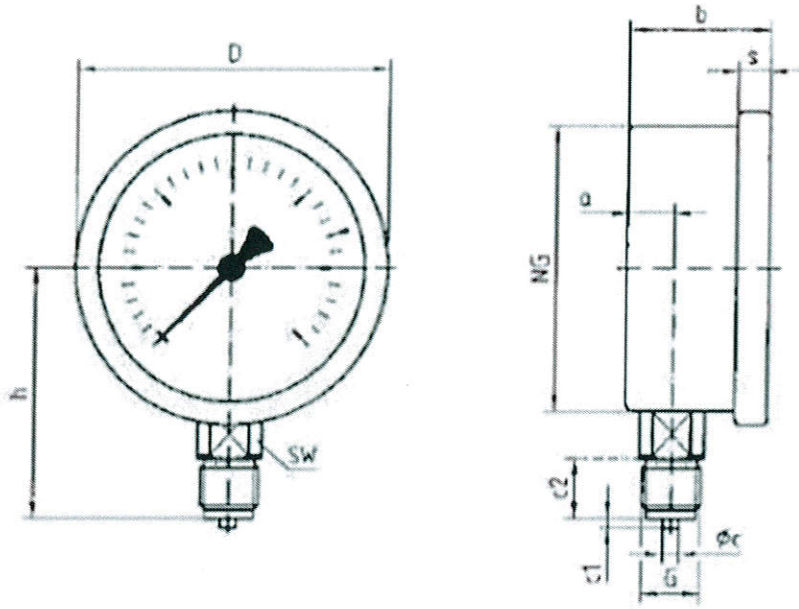


Figure 2

A typical schematic diagram of sealing provision to prevent the fraudulent practices of the model is given above as Figure 2.

[F.No. I-21/60/2025-W&M Section]

Ashutosh Agarwal

Director (Legal Metrology) to Govt. of India/ निदेशक (विधिक माप विज्ञान) भारत सरकार

Phone/दूरभाष 01123389489

Email/ई-मेल: dirwm-ca@nic.in

Online Application No. 18807